

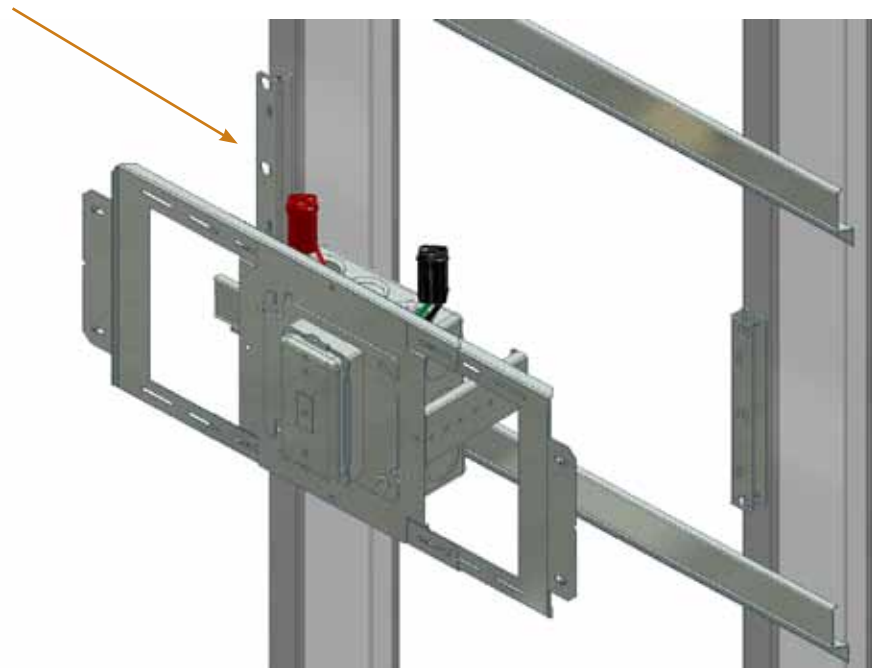


# Introducing the MODEX<sup>®</sup> Resilient Channel Spacer

The MODEX<sup>®</sup> Resilient Channel Spacer solves field installation issues associated with projects where resilient channels are installed. Now, there is no need to create time-consuming or costly field fixes to solve trim out issues.

Save time and money with this simple installation!

## *Resilient Channel Spacer*



- Quick economical fix for projects where resilient channels are installed
- Designed to install on the back of your existing MODEX<sup>®</sup> brackets
- Holds bracket off the studding 1/2" eliminating the gap created by the resilient channel

